

LEKTRO

Model AP8950SDB-M

AIRCRAFT TOWING VEHICLE

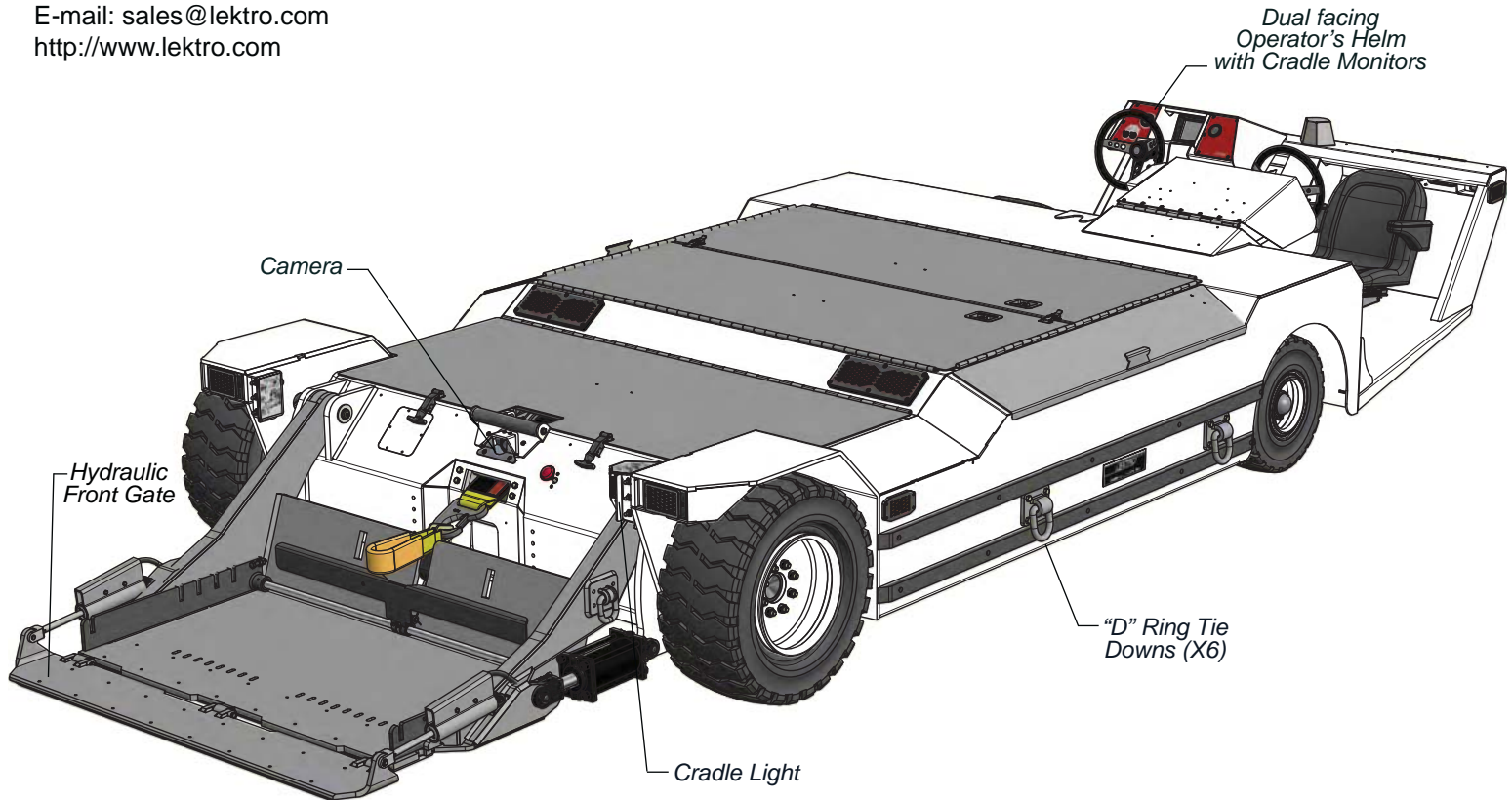
FOR AIRCRAFT UP TO 180,000 LBS/81,648 KG

1190 S.E. Flightline Drive, Warrenton, Oregon 97146-9692

1-800-535-8767 • 503-861-2288 • Fax 503-861-2283

E-mail: sales@lektro.com

http://www.lektro.com



AP8950SDB-M FEATURES:

Vehicle Drive: 58.3 HP/45.5 kW, 80 VDC Traction Motor mated with Auburn/Dana 44 Differential.

Motor Speed Control: EV-200 LX SCR with On-Board Diagnostics. Speed controlled by Foot Throttle.

Batteries: Dual set of two 40 VDC Industrial, 595 AMP-HR Batteries (6 hr rate), wired in series-parallel with Single Point Watering System. 680 AH, optional.

GPU: Built-in Independent 12/24/28 VDC / 1175 CCA Batteries and Charging System, optional.

Motive Battery Charger: Two external Fully Automatic 115 AMP DC / 208-480 VAC / 60 Hz / 3-PH Chargers. 120 AMP and/or 50 Hz, optional.

Nose Gear Lift Cradle: Patented Universal Nose Gear Lift Cradle activated by an Electric/Hydraulic Pump Assembly capable of handling dual and single wheel aircraft, and Hydraulic Front Gate.

Winch: Heavy-duty Hydraulic Winch with Automatic Safety Cut-Off and RH/LH Winch/Cradle fender controls. Winch and Strut Straps included.

Steering: Electric/Hydraulic Power Steering controlled through Automotive-type Tilt Wheel requiring minimal effort with very responsive steering action. Automatic Timer turns off power when tug not in use, increasing battery shift life. Simple Double Ended Cylinder Steering Axle with Tapered Roller Bearing Kingpins.

Service Brakes: Foot Operated Power Hydraulic Disc-Type Service Brakes mounted on the input to each final Wheel Drive Gearing to achieve maximum braking with minimal effort.

Parking Brake: Hand activated Electric Switch controlling Spring Applied/Hydraulic Released Calipers mounted on each Service Brake Disc.

Drive Tires: Single 28 x 12.5-15 Solid-Pneumatic Traction Tread with Siping. Chains, optional.

Steer Tires: 21 x 8-9 Solid-Pneumatic Traction Tread mounted to a Fully Suspended Steer Axle.

Lighting: Dual LED Forward and Aft Headlights, Four LED Flashing Amber Running Lights, Amber Strobe Light mounted Center Rear, and LED Brake Lights/Turn Signals.

Operator's Compartment: Low profile, Premium Grade, Molded Polyurethane Operator Seats with Dual Facing Helms, including Armrests, Seat Belts and fore/aft setting. Cab with Heater, Defroster, and Windshield Wipers, optional.

Camera and Monitor: Camera at Aircraft Interface Area, with Color Monitors at "A" and "B" Station.

Construction: Welded Steel Plate and Polymers preserved by Primer and Industrial Gray Enamel Paint with special protective Polyurethane Coating to prevent rust, scratches and corrosion. Steel Rub Rails protect from side impact. Custom colors, optional.

Transportability: Six "D" Rings and Rear Drawbar Hitch for transport tie down. Steer Axle with Hydraulic Lift for ramp loading, optional.

SPECIFICATIONS:

Length	257.8 in / 654.9 cm
Width	100.5 in / 255.4 cm
Height (At lowest steering tilt setting).....	37.5 in / 95.2 cm
Turning Radius	209 in / 531 cm
Wheel Base	115.3 in / 292.8 cm
Vehicle Speed, Empty	7.5 MPH / 12 KPH
Vehicle Speed, Loaded (To Max. Vehicle Capacity) ..	4 MPH / 6.44 KPH
**Lift Cradle Capacity	18,000 LBS / 8165 KG
Nose Gear Cradle Lifting Height.....	11 in / 28 cm
Ground Clearance.....	5 in / 12.7 cm
Shipping Weight w/o Batteries & Charger	9000 LBS / 4082 KG
Shipping Weight w/ Motive Batteries & Charger	18,000 LBS / 8165 KG
Shipping Weight w/ Motive & GPU Batteries & Charger ..	18,350 LBS / 8323 KG

**Lift Capacity is calculated with 30 in / 76.2 cm diameter aircraft tire in lift cradle. Aircraft tire center line at 26 in / 66 cm from drive tire center line.

ADDITIONAL OPTIONS:

Specialized Aircraft Towing Adapters and Custom Highlift Adapters are available (consult factory). Illustration may show some optional equipment.

*LEKTRO reserves the right to make changes and improvements in products and specifications without notice or obligation.

PATENT Nos. 5,151,003 / 5,302,075 / 9,067,691.

Other Patents Pending.

LEKTRO

Model AP8950SDB-M AIRCRAFT TOWING VEHICLE FOR AIRCRAFT UP TO 180,000 LBS/81,648 KG

1190 S.E. Flightline Drive, Warrenton, Oregon 97146-9692
1-800-535-8767 • 503-861-2288 • Fax 503-861-2283
E-mail: sales@lektro.com
<http://www.lektro.com>

