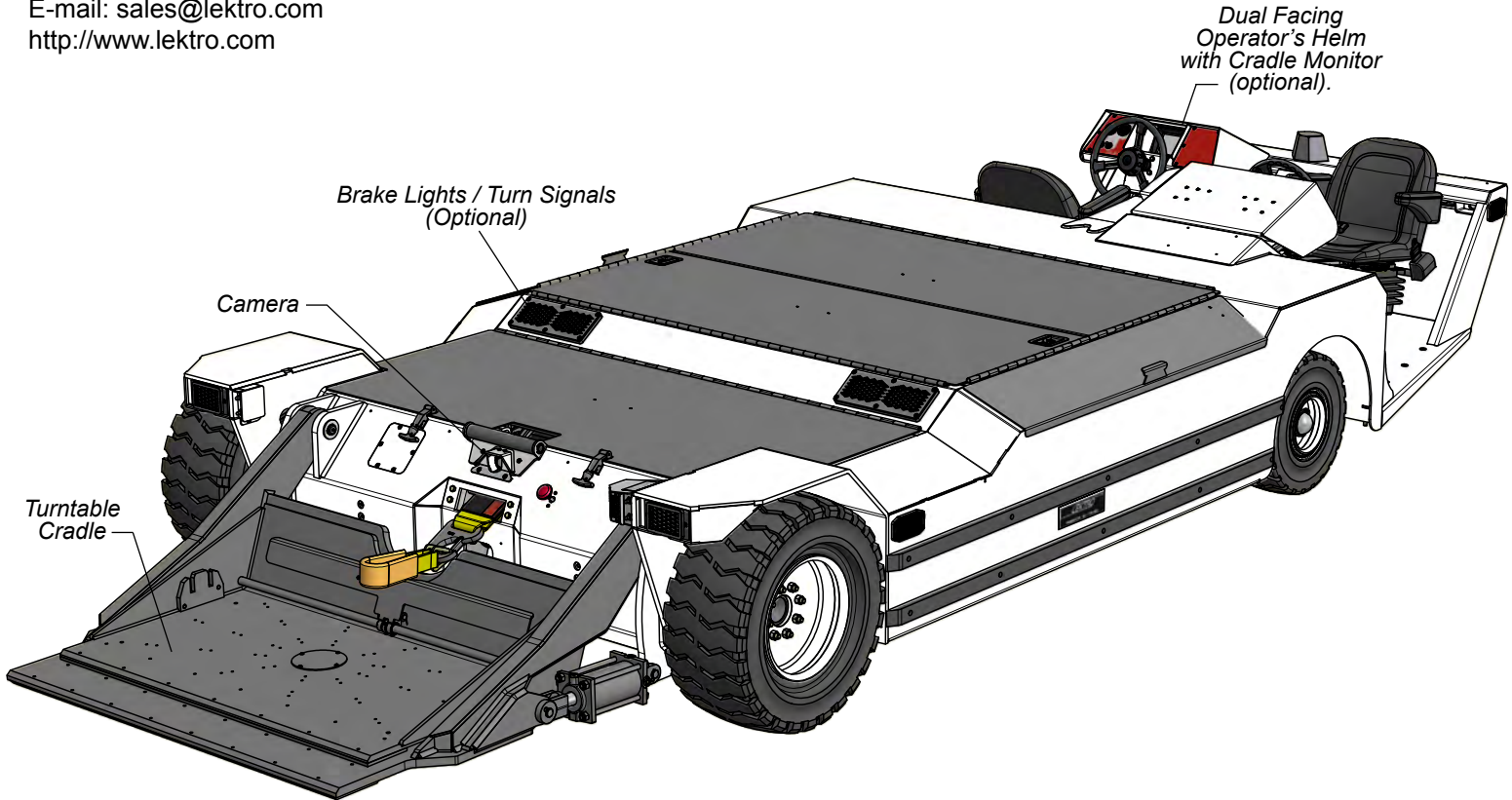


# LEKTRO Model AP8950SDB-AL-200

AIRCRAFT TOWING VEHICLE  
FOR AIRCRAFT UP TO 210,000 LBS/95,256 KG

1190 S.E. Flightline Drive, Warrenton, Oregon 97146-9692  
1-800-535-8767 • 503-861-2288 • Fax 503-861-2283  
E-mail: sales@lektro.com  
http://www.lektro.com



## AP8950SDB-AL-200 FEATURES:

**Vehicle Drive:** 58.3 HP/45.5 kW, 80 VDC Traction Motor mated with Auburn/Dana 44 Differential.

**Motor Speed Control:** EVT1000LV IGBT with On-Board Diagnostics. Speed controlled by Foot Throttle.

**Batteries:** Dual set of two 40 VDC Industrial, 680 AMP-HR Batteries (6 hr rate), wired in series-parallel with Single Point Watering System.

**GPU:** Built-in Independent 12/24/28 VDC / 1175 CCA Batteries and Charging System, optional.

**Motive Battery Chargers:** Two external Fully Automatic 135 AMP DC / 208-480 VAC / 60 Hz / 3-PH Chargers. 50 Hz, optional.

**Nose Gear Lift Cradle:** Patented Universal Nose Gear Lift Cradle activated by an Electric/Hydraulic Pump Assembly combined with Patented Torque Sensing Turntable Cradle Deck. Aircraft Selection System, optional.

**Winch:** Heavy-duty Hydraulic Winch with Automatic Safety Cut-Off and RH/LH Winch/Cradle fender controls. Winch and Strut Straps included.

**Steering:** Electric/Hydraulic Power Steering controlled through Automotive-type Tilt Wheel requiring minimal effort with very responsive steering action. Automatic Timer turns off power when tug not in use, increasing battery shift life. Simple Double Ended Cylinder Steering Axle with Tapered Roller Bearing Kingpins.

**Service Brakes:** Foot Operated Dual Hydraulic Disc Brakes with Boost Assisted Master Cylinder to achieve maximum braking with minimal effort.

**Parking Brake:** Hand activated Electric Switch controlling Spring Applied/Hydraulic Released Calipers mounted on each Service Brake Disc.

**Drive Tires:** Single 28 x 12.5-15 Solid-Pneumatic Traction Tread. Siping, Auto Socks and Chains, optional.

**Steer Tires:** 23 x 9-10 Solid-Pneumatic Traction Tread mounted to a Fully Suspended Steer Axle.

**Lighting:** Dual Forward and Aft LED Headlights, Four Flashing Amber LED Running Lights, Amber Strobe Light mounted Center Rear, and LED Brake Lights/Turn Signals.

**Operator's Compartment:** Operator and Passenger Seats, Forward Facing, Premium Grade including Armrests (Available in Black or Light Gray). Operator's Seat features a Fully Suspended, Adjustable setting for height, fore/aft and weight. Seat Belts, Dual Facing Operator's Helm and Cab with Heater, Defroster, and Windshield Wipers, optional.

**Camera and Monitors:** Camera at Aircraft Interface Area, with Color Monitor at "A" Station. "B" Station Monitor, optional.

**Construction:** Welded Steel Plate and Polymers preserved by Primer and Automotive High-Gloss Red or White Enamel Paint with special protective Polyurethane Coating to prevent rust, scratches and corrosion. Steel Rub Rails protect from side impact. Custom colors, optional.

## SPECIFICATIONS:

Length.....	246.6 in / 626.4 cm
Width.....	99.8 in / 253.6 cm
Height (At lowest steering tilt setting).....	39.1 in / 99.3 cm
Turning Radius.....	209 in / 531 cm
Wheel Base.....	115.3 in / 292.8 cm
Vehicle Speed, Empty.....	7.5 MPH / 12 KPH
Vehicle Speed, Loaded (To max. Vehicle Capacity).....	4 MPH / 6.44 KPH
**Lift Cradle Capacity.....	25,300 LBS / 11,476 KG
Nose Gear Cradle Lifting Height.....	11 in / 28 cm
Ground Clearance.....	5 in / 12.7 cm
Shipping Weight w/o Batteries & Chargers.....	10,100 LBS / 4581 KG
Shipping Weight w/ Motive Batteries & Chargers.....	19,800 LBS / 8981 KG
Shipping Weight w/ Motive & GPU Batteries & Chargers.....	20,200 LBS / 9162 KG

\*\*Lift Capacity is calculated with 30 in / 76.2 cm diameter aircraft tire in lift cradle. Aircraft tire center line at 26 in / 66 cm from drive tire center line.

## ADDITIONAL OPTIONS:

Draw Bar Pin, Specialized Aircraft Towing Adapters and Custom Highlift Adapters are available (consult factory). Illustration may show some optional equipment.

\*LEKTRO reserves the right to make changes and improvements in products and specifications without notice or obligation.

PATENT Nos. 5,151,003 / 5,302,075 / 9,067,691.  
Other Patents Pending.

# LEKTRO

## Model AP8950SDB-AL-200

### AIRCRAFT TOWING VEHICLE

FOR AIRCRAFT UP TO 210,000 LBS/95,256 KG

1190 S.E. Flightline Drive, Warrenton, Oregon 97146-9692

1-800-535-8767 • 503-861-2288 • Fax 503-861-2283

E-mail: sales@lektro.com

http://www.lektro.com

