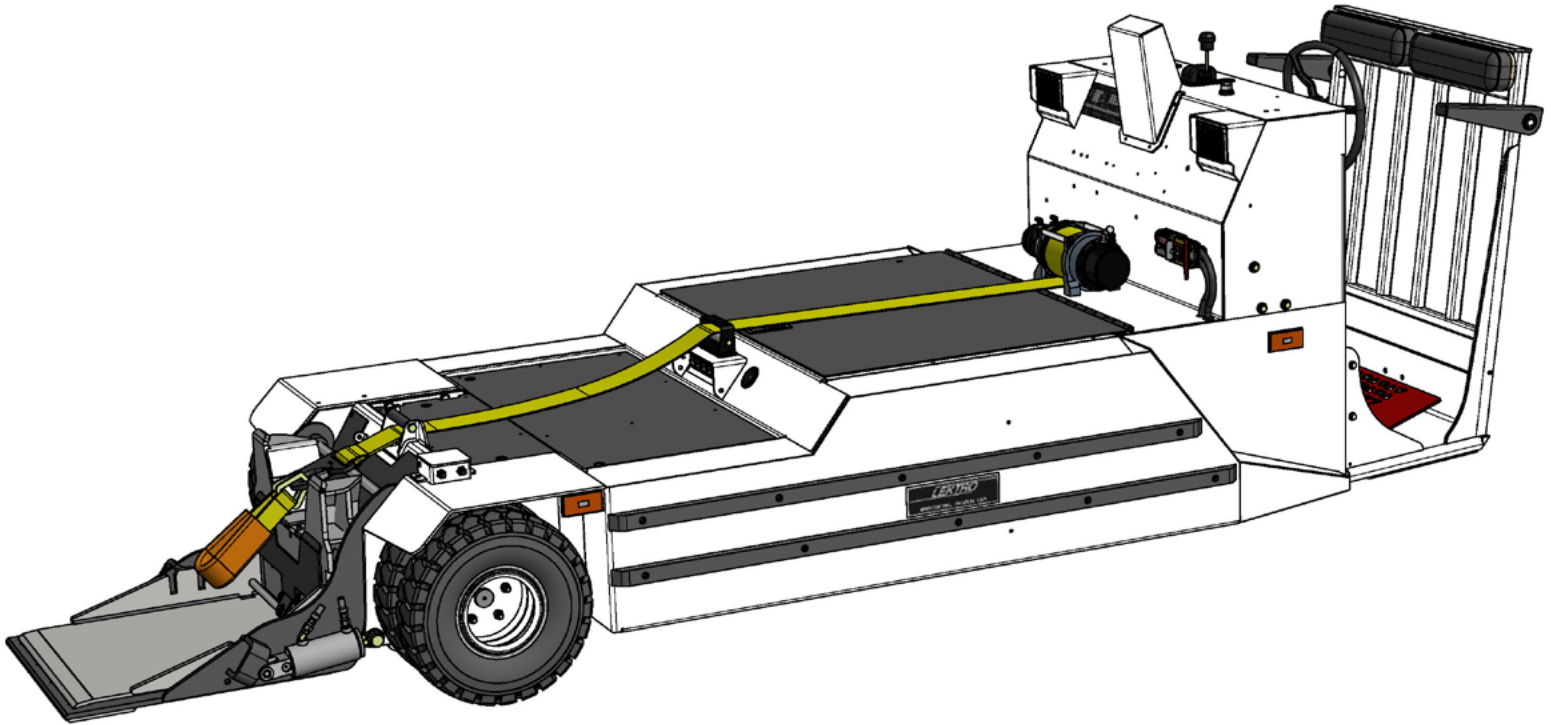


LEKTRO

Model **AP8750C-AL-700**

AIRCRAFT TOWING VEHICLE
FOR AIRCRAFT UP TO 80,000 LBS/36,287 KG

1190 S.E. Flightline Drive, Warrenton, Oregon 97146-9692
1-800-535-8767 • 503-861-2288 • Fax 503-861-2283
E-mail: sales@lektro.com
http://www.lektro.com



AP8750C-AL-700 FEATURES:

Vehicle Drive: 33.1 HP/24.8 kW, 72 VDC Traction Motor mated with Auburn/Dana 44 Limited Slip Differential.

Motor Speed Control: EV100ZX SCR with On-Board Diagnostics. Speed controlled by combination Hand Throttle/Directional Lever.

Batteries: 72 VDC Industrial, 275 AMP-HR Battery (6 hr rate), with Single Point Watering System. 375 AH, optional.

GPU: Built-in Independent 12/24/28 VDC / 1175 CCA Batteries and Charging System, optional.

Motive Battery Charger: External Fully Automatic 60 AMP DC / 208-480 VAC / 60 Hz / 3-PH Charger. 50 Hz and/or 70 Amp, optional.

Nose Gear Lift Cradle: Patented Universal Nose Gear Lift Cradle activated by an Electric/Hydraulic Pump Assembly capable of handling dual wheel aircraft. Aircraft Selection System and Patented Torque Sensing Turntable Cradle Deck, optional.

Winch: Heavy-duty Hydraulic Winch with Automatic Safety Cut-Off and RH/LH Winch/Cradle fender controls. Winch and Strut Straps included.

Steering: Automotive-type Wheel coupled to an Automotive Gear Box resulting in very responsive steering action.

Service Brakes: Foot Operated Hydraulic Disc-Type Service Brakes at each Drive Wheel.

Parking Brake: Hand/Foot activated Electric Deadman Parking Brake.

Drive Tires: Dual 5.00 x 8 10-ply Poly-Foam Filled Pneumatic Traction Tread. Auto Socks and Chains, optional.

Steer Tires: Dual 5.00 x 8 10-ply Poly-Foam Filled Pneumatic Traction Tread. Steer Axle Suspension, optional.

Lighting: Dual Built-in Forward and Aft LED Headlights and Five Flashing Amber LED Running Lights.

Operator's Compartment: Two person configuration, Stand-Up Operation with Restraint.

Construction: Welded Steel Plate and Polymers preserved by Primer and Automotive High-Gloss Red or White Enamel Paint with special protective Polyurethane Coating to prevent rust, scratches and corrosion. Steel Rub Rails protect from side impact. Custom colors, optional.

SPECIFICATIONS:

Length.....	157.75 in / 400.8 cm
Width	56.75 in / 144.2 cm
Height (at top of steering wheel).....	49.75 in / 126.5 cm
Turning Radius	139 in / 353 cm
Wheel Base	81.25 in / 206.5 cm
Vehicle Speed, Empty	8 MPH / 12.8 KPH
Vehicle Speed, Loaded (To max. Vehicle Capacity) ..	3.5 MPH / 5.6 KPH
**Lift Cradle Capacity	8000 LBS / 3629 KG
Nose Gear Cradle Lifting Height.....	9.75 in / 24.8 cm
Ground Clearance	5 in / 12.7 cm
Shipping Weight w/o Batteries & Charger	3340 LBS / 1515 KG
Shipping Weight w/ Motive Batteries & Charger....	5400 LBS / 2449 KG

**Lift Capacity is calculated with 18 in / 46 cm diameter aircraft tire in lift cradle. Aircraft tire center line at 20.5 / 52 cm from drive tire center line.

ADDITIONAL OPTIONS:

Draw Bar Pin, Specialized Aircraft Towing Adapters and Custom Highlift Adapters are available (consult factory). Illustration may show some optional equipment.

*LEKTRO reserves the right to make changes and improvements in products and specifications without notice or obligation.

PATENT Nos. 5,151,003 / 5,302,075 / 9,067,691.

Other Patents Pending.

LEKTRO

Model AP8750C-AL-700 AIRCRAFT TOWING VEHICLE FOR AIRCRAFT UP TO 80,000 LBS/36,287 KG

1190 S.E. Flightline Drive, Warrenton, Oregon 97146-9692
1-800-535-8767 • 503-861-2288 • Fax 503-861-2283
E-mail: sales@lektro.com
http://www.lektro.com

