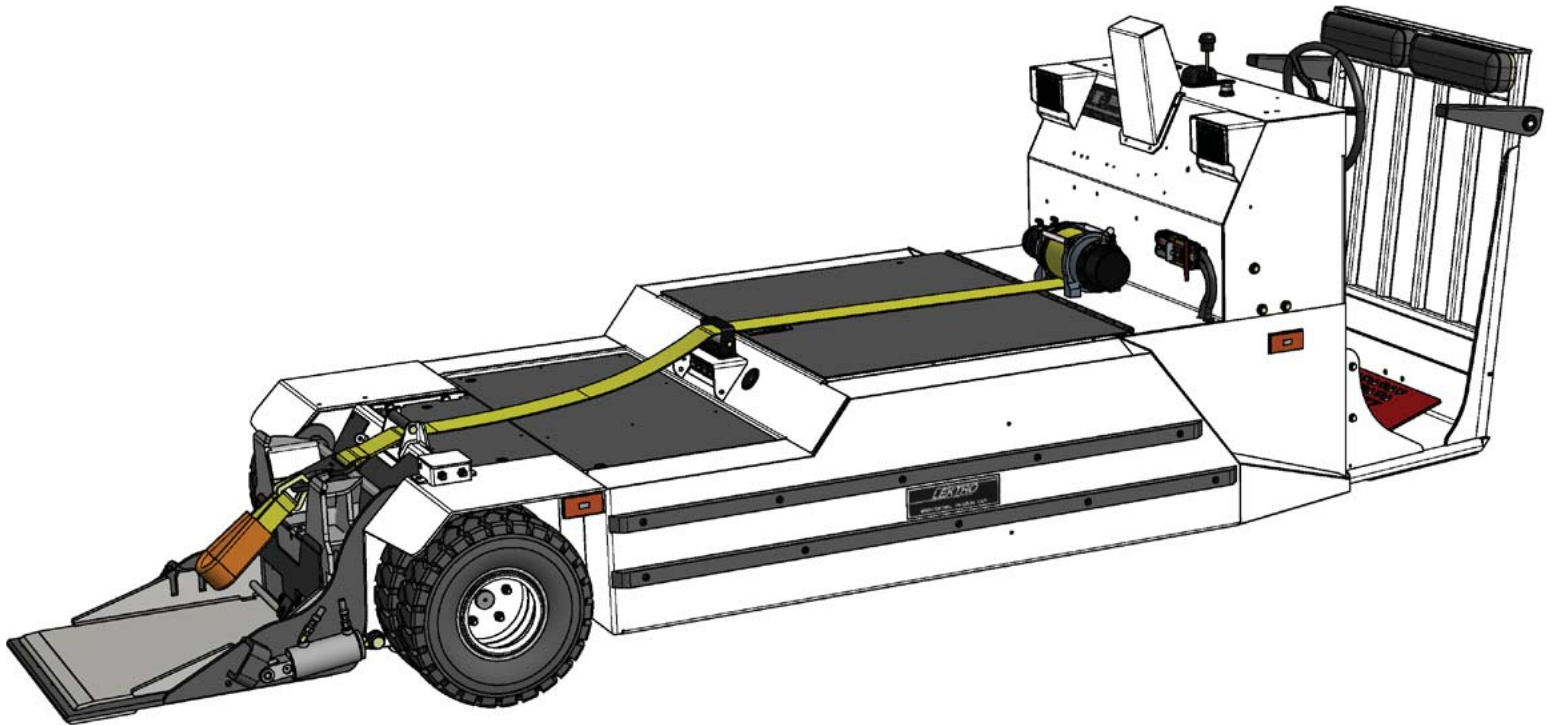


# LEKTRO

1190 S.E. Flightline Drive, Warrenton, Oregon 97146-9692  
1-800-535-8767 • 503-861-2288 • Fax 503-861-2283  
E-mail: sales@lektro.com  
http://www.lektro.com

## Model AP8750C-AL-80/50/35 AIRCRAFT TOWING VEHICLE FOR AIRCRAFT UP TO 80,000 LBS/36,287 KG



### AP8750C-AL-80/50/35 FEATURES:

**Vehicle Drive:** 33.1 HP/24.8 kW, 72 VDC Traction Motor mated with Auburn/Dana 44 Limited Slip Differential.

**Motor Speed Control:** EV-100 LX SCR with On-Board Diagnostics. Speed controlled by combination Hand Throttle/Directional Lever.

**Batteries:** 72 VDC Industrial, 275 AMP-HR Battery (6 hr rate), with Single Point Watering System. 375 AH, optional.

**GPU:** Built-in Independent 12/24/28 VDC / 1175 CCA Batteries and Charging System, optional.

**Motive Battery Charger:** External Fully Automatic 60 AMP DC / 208-480 VAC / 60 Hz / 3-PH Charger. 50 Hz and/or 70 Amp, optional.

**Nose Gear Lift Cradle:** Patented Universal Nose Gear Lift Cradle activated by an Electric/Hydraulic Pump Assembly capable of handling dual wheel aircraft. Aircraft Selection System and Patented Torque Sensing Turntable Cradle Deck, optional.

**Winch:** Heavy-duty Hydraulic Winch with Automatic Safety Cut-Off. Winch and Strut Straps included.

**Steering:** Automotive-type Wheel coupled to an Automotive Gear Box resulting in very responsive steering action.

**Service Brakes:** Foot Operated Hydraulic Disc-Type Service Brakes at each Drive Wheel.

**Parking Brake:** Hand/Foot activated Electric Deadman Parking Brake.

**Drive Tires:** Dual 5.00 x 8 10-ply Poly-Foam Filled Pneumatic Traction Tread. Chains, optional.

**Steer Tires:** Dual 5.00 x 8 10-ply Poly-Foam Filled Pneumatic Traction Tread. Steer Axle Suspension, optional.

**Lighting:** Dual Built-in Forward and Aft Headlights and Five Flashing Amber Running Lights. LED Bulbs, optional.

**Operator's Compartment:** Two person configuration, Stand-Up Operation with Restraint.

**Construction:** Welded Steel Plate and Polymers preserved by Primer and Automotive High-Gloss Red or White Enamel Paint with special protective Polyurethane Coating to prevent rust, scratches and corrosion. Steel Rub Rails protect from side impact. Custom colors, optional.

### SPECIFICATIONS:

|   |                      |
|---|----------------------|
| Length.....   | 157.75 in / 400.8 cm |
| Width .....   | 56.75 in / 144.2 cm  |
| Height (at top of steering wheel).....                | 49.75 in / 126.5 cm  |
| Turning Radius .....                                  | 139 in / 353 cm      |
| Wheel Base .....                                      | 81.25 in / 206.5 cm  |
| Vehicle Speed, Empty .....                            | 8 MPH / 12.8 KPH     |
| Vehicle Speed, Loaded (To max. Vehicle Capacity)..... | 3.5 MPH / 5.6 KPH    |
| **Lift Cradle Capacity .....                          | 8000 LBS / 3629 KG   |
| Nose Gear Cradle Lifting Height.....                  | 9.75 in / 24.8 cm    |
| Ground Clearance .....                                | 5 in / 12.7 cm       |
| Shipping Weight w/o Batteries & Charger .....         | 3340 LBS / 1515 KG   |
| Shipping Weight w/ Motive Batteries & Charger....     | 5400 LBS / 2449 KG   |

\*\*Lift Capacity is calculated with 18 in / 46 cm diameter aircraft tire in lift cradle. Aircraft tire center line at 20.5 / 52 cm from drive tire center line.

### ADDITIONAL OPTIONS:

Draw Bar Pin, Specialized Aircraft Towing Adapters and Custom Highlift Adapters are available (consult factory). Illustration may show some optional equipment.

\*LEKTRO reserves the right to make changes and improvements in products and specifications without notice or obligation.

PATENT Nos. 5,151,003 / 5,302,075 / 9,067,691.

Other Patents Pending.

# LEKTRO

## Model AP8750C-AL-80/50/35 AIRCRAFT TOWING VEHICLE FOR AIRCRAFT UP TO 80,000 LBS/36,287 KG

1190 S.E. Flightline Drive, Warrenton, Oregon 97146-9692  
 1-800-535-8767 • 503-861-2288 • Fax 503-861-2283  
 E-mail: sales@lektro.com  
 http://www.lektro.com

