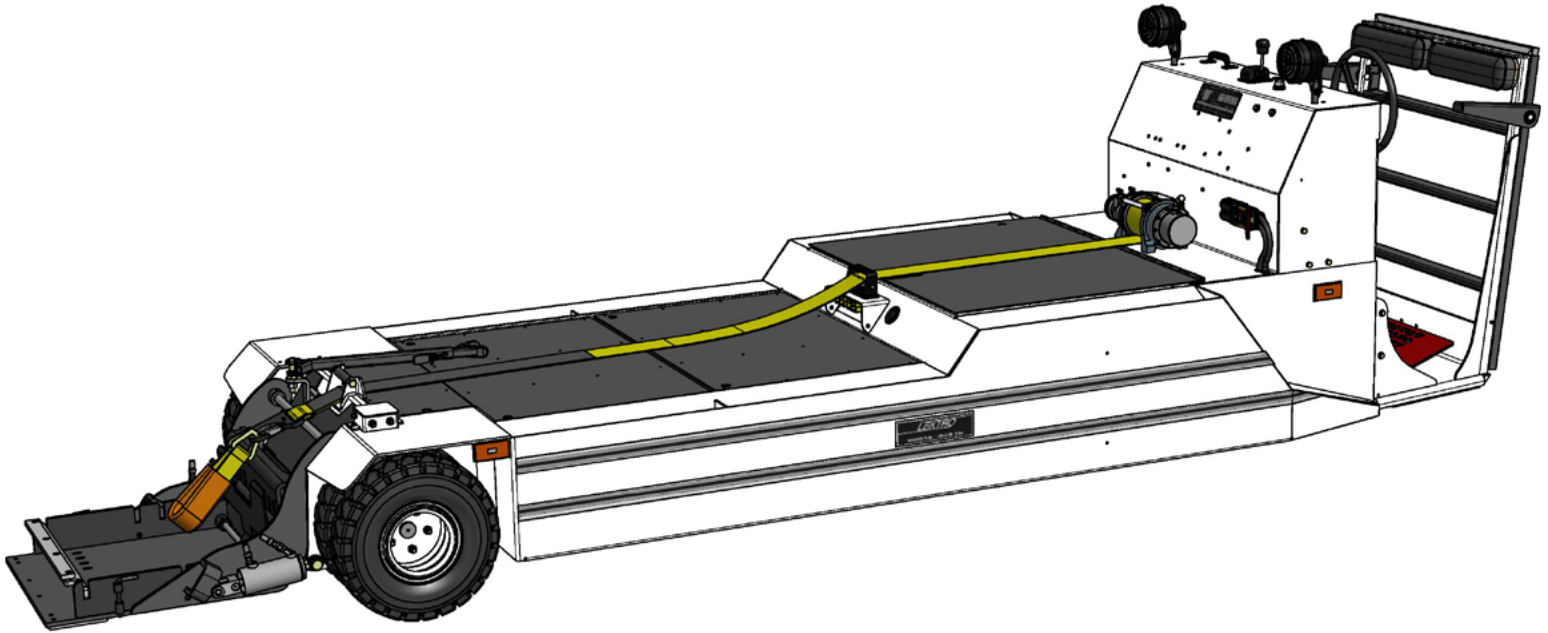


# LEKTRO

1190 S.E. Flightline Drive, Warrenton, Oregon 97146-9692  
1-800-535-8767 • 503-861-2288 • Fax 503-861-2283  
E-mail: sales@lektro.com  
http://www.lektro.com

## Model AP8700CX AIRCRAFT TOWING VEHICLE FOR AIRCRAFT UP TO 60,000 LBS/27,216 KG



### AP8700CX FEATURES:

**Vehicle Drive:** 30.9 HP/23.1 kW, 48 VDC Traction Motor mated with Auburn/Dana 44 Differential. Limited Slip Differential, optional.  
**Motor Speed Control:** EV100ZX SCR with On-Board Diagnostics. Speed controlled by combination Hand Throttle/Directional Lever.  
**Batteries:** Eight 6 VDC, 328 AMP-HR Batteries (6 hr rate), wired in series. Single Point Watering System, optional.  
**GPU:** Built-in 12/24/28 VDC / 1374 CCA Motive/GPU Batteries. Independent 1175 CCA GPU Battery and Charging System, optional.  
**Motive Battery Charger:** External Fully Automatic 50 AMP DC / 220 VAC / 60 HZ / 1-PH Charger. 50 Hz, optional.  
**Nose Gear Lift Cradle:** Patented Universal Nose Gear Lift Cradle activated by an Electric/Hydraulic Pump Assembly capable of handling dual and single wheel aircraft, those with or without wheel fairings, and a Hold Down provision for light-nosed aircraft. Aircraft Selection System and Patented Torque Sensing Turntable Cradle Deck, optional.  
**Winch:** Heavy-duty Hydraulic Winch with Automatic Safety Cut-Off. Winch and Strut Straps included.  
**Steering:** Automotive-type Wheel coupled to an Automotive Gear Box resulting in very responsive steering action.  
**Service Brakes:** Foot Operated Hydraulic Disc-Type Service Brakes at each Drive Wheel.  
**Parking Brake:** Hand/Foot activated Electric Deadman Parking Brake.  
**Drive Tires:** Dual 5.00 x 8 10-ply Pneumatic Traction Tread. Poly-Foam, Auto Socks and Chains, optional.  
**Steer Tires:** Dual 5.00 x 8 10-ply Pneumatic Traction Tread. Poly-Foam and Steer Axle Suspension, optional.  
**Lighting:** Dual 360° Rotating LED Spotlights mounted on Cowl, One Rear LED Headlight mounted on Back of Operator's Platform and Four Flashing Amber LED Running Lights.  
**Extension Ladder:** Step Ladder attached to operator's back rest.  
**Operator's Compartment:** Two person configuration, Stand-Up Operation with Restraint.

**Construction:** Welded Steel Plate and Polymers preserved by Primer and Automotive High-Gloss Red or White Enamel Paint with special protective Polyurethane Coating to prevent rust, scratches and corrosion. Custom colors, optional.

### SPECIFICATIONS:

Length.....	191.25 in / 485.6 cm
Width .....	54.75 in / 139.0 cm
Height (at top of steering wheel).....	50 in / 126.7 cm
Turning Radius .....	171 in / 434 cm
Wheel Base .....	113.25 in / 287.5 cm
Vehicle Speed, Empty .....	7 MPH / 11.2 KPH
Vehicle Speed, Loaded (To max. Vehicle Capacity) ....	3 MPH / 4.8 KPH
**Lift Cradle Capacity .....	6000 LBS / 2722 KG
Nose Gear Cradle Lifting Height .....	9 in / 23 cm
Ground Clearance .....	5 in / 12.7 cm
Shipping Weight w/o Batteries & Charger .....	3170 LBS / 1438 KG
Shipping Weight w/ Motive Batteries & Charger .....	4400 LBS / 1996 KG
Shipping Weight w/ Motive & GPU Batteries & Charger..	4750 LBS / 2155 KG

\*\*Lift Capacity is calculated with 18 in / 46 cm diameter aircraft tire in lift cradle. Aircraft tire center line at 20.5 in / 52 cm from drive tire center line.

### ADDITIONAL OPTIONS:

Draw Bar Pin, Specialized Aircraft Towing Adapters and Custom Highlift Adapters are available (consult factory). Illustration may show some optional equipment.

\*LEKTRO reserves the right to make changes and improvements in products and specifications without notice or obligation.

PATENT Nos. 5,151,003 / 5,302,075 / 9,067,691.  
Other Patents Pending.

# LEKTRO

1190 S.E. Flightline Drive, Warrenton, Oregon 97146-9692  
 1-800-535-8767 • 503-861-2288 • Fax 503-861-2283  
 E-mail: sales@lektro.com  
 http://www.lektro.com

## Model AP8700CX AIRCRAFT TOWING VEHICLE FOR AIRCRAFT UP TO 60,000 LBS/27,216 KG

