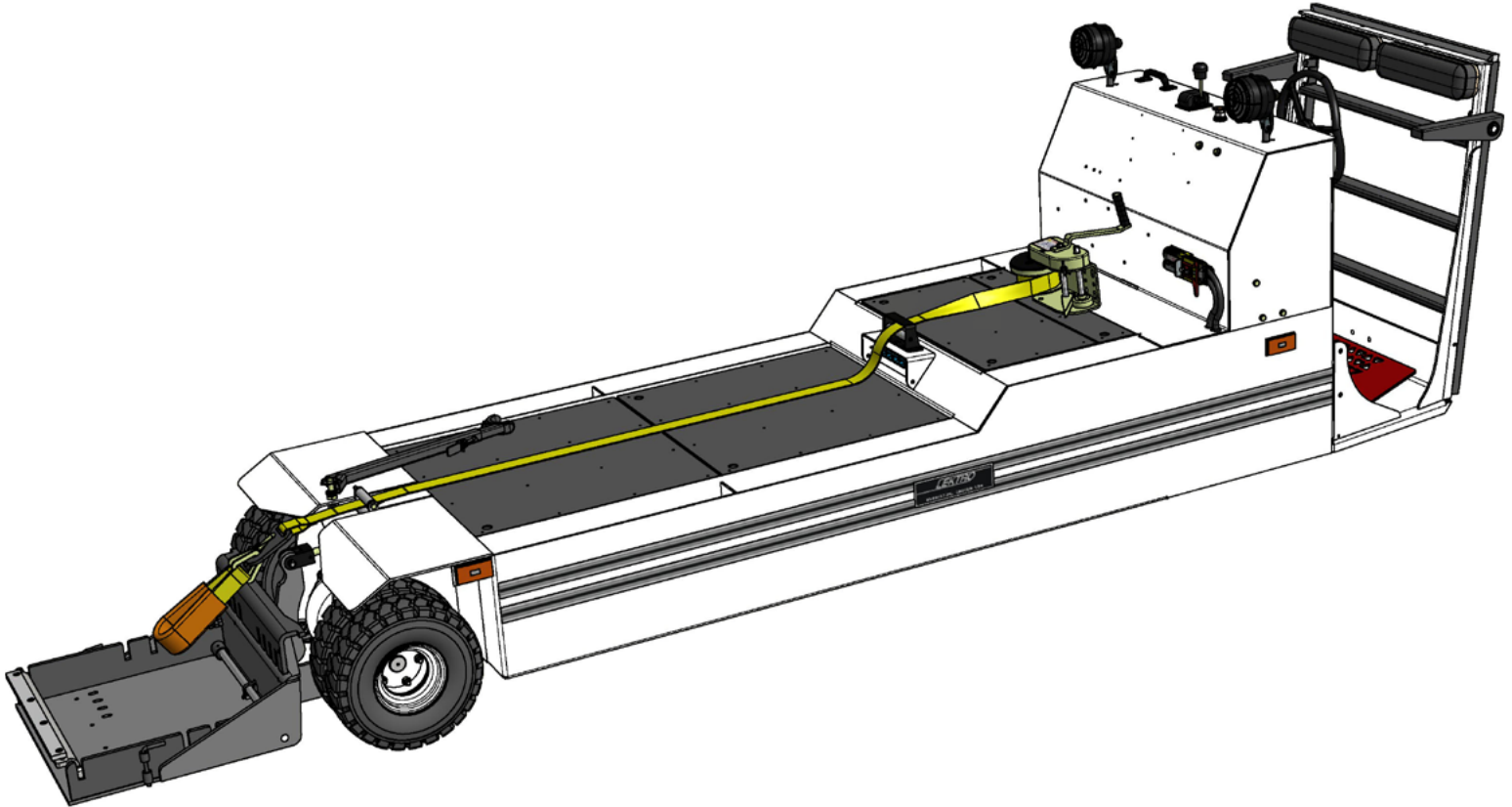


# LEKTRO

1190 S.E. Flightline Drive, Warrenton, Oregon 97146-9692  
1-800-535-8767 • 503-861-2288 • Fax 503-861-2283  
E-mail: sales@lektro.com  
http://www.lektro.com

## Model AP8650AX AIRCRAFT TOWING VEHICLE FOR AIRCRAFT UP TO 40,000 LBS/18,143 KG



### AP8650AX FEATURES:

**Vehicle Drive:** 11.8 HP/8.8 kW, 36 VDC Traction Motor mated with Dana 44 Differential. Limited Slip Differential, optional.  
**Motor Speed Control:** EV100ZX SCR with On-Board Diagnostics. Speed controlled by combination Hand Throttle/Directional Lever.  
**Batteries:** Six 6 VDC, 328 AMP-HR Batteries (6 hr rate), wired in series. Single Point Watering System, optional.  
**GPU:** Built-in 12/24/28 VDC / 1374 CCA Motive/GPU Batteries. Independent 1175 CCA GPU Battery and Charging System, optional.  
**Motive Battery Charger:** External Fully Automatic 36 AMP DC / 120 VAC / 60 Hz / 1-PH Charger. 230 VAC / 50 Hz, optional.  
**Nose Gear Lift Cradle:** Patented Universal Nose Gear Lift Cradle activated by an Electric/Hydraulic Pump Assembly capable of handling dual and single wheel aircraft, those with or without wheel fairings, and a Hold Down provision for light-nosed aircraft. Aircraft Selection System, optional.  
**Winch:** Heavy-duty 2-speed Hand Winch. Winch and Strut Straps included. Hydraulic Winch with Automatic Safety Cut-Off, optional.  
**Steering:** Automotive-type Wheel coupled to an Automotive Gear Box resulting in very responsive steering action.  
**Service Brakes:** Foot Operated Hydraulic Disc-Type Service Brakes acting at Differential Pinion Shaft.  
**Parking Brake:** Hand/Foot activated Electric Deadman Parking Brake.  
**Drive Tires:** Dual 4.80/4.00 x 8 8-ply Pneumatic Traction Tread. Poly-Foam, Auto Socks and Chains, optional.  
**Steer Tires:** Dual 4.80/4.00 x 8 8-ply Pneumatic Traction Tread. Poly-Foam and Steer Axle Suspension, optional.  
**Lighting:** Dual 360° Rotating LED Spotlights mounted on Cowl, One Rear LED Headlight mounted on Back of Operator's Platform and Four Flashing Amber LED Running Lights.  
**Extension Ladder:** Step Ladder attached to operator's back rest.

**Operator's Compartment:** Two person configuration, Stand-Up Operation with Restraint.

**Construction:** Welded Steel Plate and Polymers preserved by Primer and Automotive High-Gloss Red or White Enamel Paint with special protective Polyurethane Coating to prevent rust, scratches and corrosion. Custom colors, optional.

### SPECIFICATIONS:

Length.....	175.25 in / 445.4 cm
Width .....	41.0 in / 104.1 cm
Height (at top of steering wheel).....	49 in / 124.2 cm
Turning Radius .....	151.5 in / 384.8 cm
Wheel Base .....	103.25 in / 262.2 cm
Vehicle Speed, Empty .....	6.8 MPH / 10.9 KPH
Vehicle Speed, Loaded(To max. Vehicle Capacity).....	4.1 MPH / 6.6 KPH
**Lift Cradle Capacity .....	4000 LBS / 1814 KG
Nose Gear Cradle Lifting Height.....	9 in / 23 cm
Ground Clearance .....	3.5 in / 9 cm
Shipping Weight w/ Batteries & Charger .....	2870 LBS / 1302 KG

\*\*Lift Capacity is calculated with 14 in / 36 cm diameter aircraft tire in lift cradle. Aircraft tire centerline at 18.5 in / 47 cm from drive tire centerline.

### ADDITIONAL OPTIONS:

Draw Bar Pin, Specialized Aircraft Towing Adapters and Custom Highlift Adapters are available (consult factory). Illustration may show some optional equipment.

\*LEKTRO reserves the right to make changes and improvements in products and specifications without notice or obligation.

PATENT Nos. 5,151,003 / 5,302,075 / 9,067,691.

Other Patents Pending.

# LEKTRO

1190 S.E. Flightline Drive, Warrenton, Oregon 97146-9692  
1-800-535-8767 • 503-861-2288 • Fax 503-861-2283  
E-mail: sales@lektro.com  
http://www.lektro.com

## Model AP8650AX AIRCRAFT TOWING VEHICLE FOR AIRCRAFT UP TO 40,000 LBS/18,143 KG

