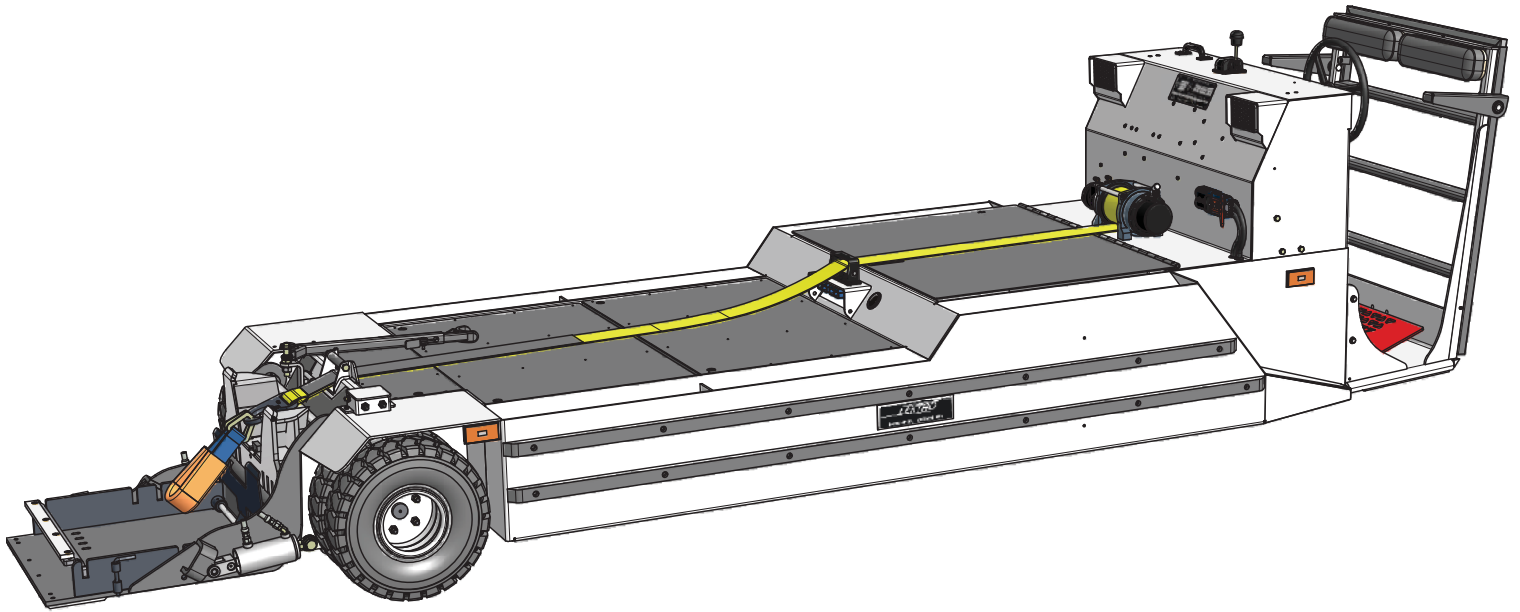


LEKTRO

Model AP8750CX-ALM AIRCRAFT TOWING VEHICLE FOR AIRCRAFT UP TO 85,000 LBS/38,555 KG

1190 S.E. Flightline Drive, Warrenton, Oregon 97146-9692
1-800-535-8767 • 503-861-2288 • Fax 503-861-2283
E-mail: sales@lektro.com
http://www.lektro.com



AP8750CX-ALM FEATURES:

Vehicle Drive: 33.1 HP/24.8 kW, 72 VDC Traction Motor mated with Auburn/Dana 44 Differential. Limited Slip Differential, optional.

Motor Speed Control: EV-100 LX SCR with On-Board Diagnostics. Speed controlled by combination Hand Throttle/Directional Lever.

Batteries: 72 VDC Industrial, 275 AMP-HR Battery (6 hr rate), with Single Point Watering System. 375 AH, optional.

GPU: Built-in Independent 12/24/28 VDC / 1175 CCA Batteries and Charging System, optional.

Motive Battery Charger: External Fully Automatic 60 AMP DC / 208-480 VAC / 60 Hz / 1-PH Charger. 3-PH and/or 50 Hz, optional.

Nose Gear Lift Cradle: Patented Universal Nose Gear Lift Cradle activated by an Electric/Hydraulic Pump Assembly capable of handling dual and single wheel aircraft, and a Hold Down provision for light-nosed aircraft. Wheel Faring Package and Aircraft Selection System, optional.

Winch: Heavy-duty Hydraulic Winch with Automatic Safety Cut-Off. Winch and Strut Straps included.

Steering: Automotive-type Wheel coupled to an Automotive Gear Box resulting in very responsive steering action.

Service Brakes: Foot Operated Hydraulic Disc-Type Service Brakes at each Drive Wheel.

Parking Brake: Hand/Foot activated Electric Deadman Parking Brake.

Drive Tires: Dual 5.00 x 8 10-ply Poly-Foam Filled Pneumatic Traction Tread. Chains, optional.

Steer Tires: Dual 5.00 x 8 10-ply Poly-Foam Filled Pneumatic Traction Tread. Steer Axle Suspension, optional.

Lighting: Dual Built-in Forward and Aft Headlights and Five Flashing Amber Running Lights. LED Bulbs, optional.

Extension Ladder: Step Ladder attached to operator's back rest.

Operator's Compartment: Two person configuration, Stand-Up Operation with Restraint.

Construction: Welded Steel Plate and Polymers preserved by Primer and Automotive High-Gloss Red or White Enamel Paint with special protective Polyurethane Coating to prevent rust, scratches and corrosion. Steel Rub Rails protect from side impact. Custom colors, optional.

SPECIFICATIONS:

| | |
|--|----------------------|
| Length..... | 191.25 in / 485.6 cm |
| Width | 56.75 in / 144.0 cm |
| Height (at top of steering wheel)..... | 50 in / 126.8 cm |
| Turning Radius | 171 in / 434 cm |
| Wheel Base | 113.25 in / 287.5 cm |
| Vehicle Speed, Empty | 6 MPH / 9.6 KPH |
| Vehicle Speed, Loaded (To Max. Vehicle Capacity)... | 3.3 MPH / 5.4 KPH |
| **Lift Cradle Capacity | 8500 LBS / 3855 KG |
| Nose Gear Cradle Lifting Height..... | 9 in / 23 cm |
| Ground Clearance | 5 in / 12.7 cm |
| Chassis Weight w/o Batteries & Charger | 3440 LBS / 1560 KG |
| Chassis Weight w/ Motive Batteries & Charger.. | 5765 LBS / 2615 KG |
| Chassis Weight w/ Motive & GPU Batteries & Charger.. | 6115 LBS / 2774 KG |

**Lift Capacity is calculated with 18 in / 46 cm diameter aircraft tire in lift cradle. Aircraft tire center line at 20.5 / 52 cm from drive tire center line.

ADDITIONAL OPTIONS:

Draw Bar Pin, Specialized Aircraft Towing Adapters and Custom High-lift Adapters are available (consult factory). Illustration may show some optional equipment.

*LEKTRO reserves the right to make changes and improvements in products and specifications without notice or obligation.

PATENT Nos. 5,151,003 / 5,302,075 / 9,067,691.
Other Patents Pending.

LEKTRO

Model AP8750CX-ALM

AIRCRAFT TOWING VEHICLE
FOR AIRCRAFT UP TO 85,000 LBS/38,555 KG

1190 S.E. Flightline Drive, Warrenton, Oregon 97146-9692

1-800-535-8767 • 503-861-2288 • Fax 503-861-2283

E-mail: sales@lektro.com

http://www.lektro.com

