

LEKTRO

Model AP8850SDA-M

AIRCRAFT TOWING VEHICLE

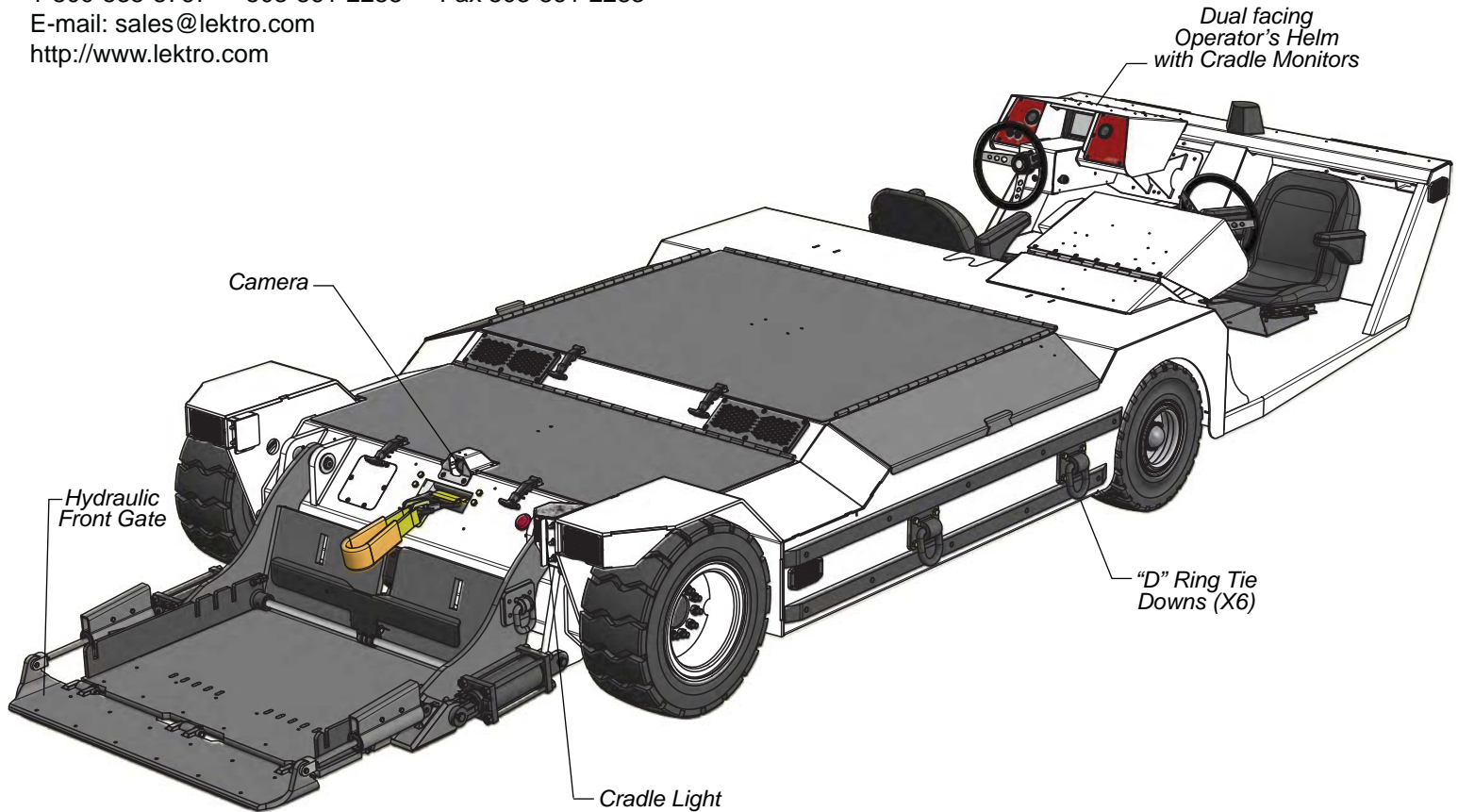
FOR AIRCRAFT UP TO 120,000 LBS/54,432 KG

1190 S.E. Flightline Drive, Warrenton, Oregon 97146-9692

1-800-535-8767 • 503-861-2288 • Fax 503-861-2283

E-mail: sales@lektro.com

http://www.lektro.com



AP8850SDA-M FEATURES:

Vehicle Drive: 45.3 HP/33.8 kW, 72 VDC Traction Motor mated with Auburn/Dana 44 Differential. Limited Slip Differential, optional.

Motor Speed Control: EV-200 LX SCR with On-Board Diagnostics. Speed controlled by Foot Throttle.

Batteries: Two 36 VDC Industrial, 550 AMP-HR Batteries (6 hr rate), wired in series with Single Point Watering System.

GPU: Built-in Independent 12/24/28 VDC / 1175 CCA Batteries and Charging System, optional.

Motive Battery Charger: External Fully Automatic 100 AMP DC / 208-480 VAC / 60 Hz / 3-PH Charger. 50 Hz, optional.

Nose Gear Lift Cradle: Patented Universal Nose Gear Lift Cradle activated by an Electric/Hydraulic Pump Assembly capable of handling dual and single wheel aircraft, a Hold Down provision for light-nosed aircraft, and Hydraulic Front Gate.

Winch: Heavy-duty Hydraulic Winch with Automatic Safety Cut-Off and RH/LH Winch/Cradle fender controls. Winch and Strut Straps included.

Steering: Electric/Hydraulic Power Steering controlled through Automotive-type Tilt Wheel requiring minimal effort with very responsive steering action. Automatic Timer turns off power when tug not in use, increasing battery shift life.

Service Brakes: Foot Operated Hydraulic Disc-Type Service Brakes utilizing the final Wheel Drive Gearing to achieve maximum braking with minimal effort.

Parking Brake: Hand activated Electric Switch controlling Spring Applied/Hydraulic Released Calipers mounted on each Service Brake Disc.

Drive Tires: Single 23 x 10 x 12 Solid-Pneumatic Traction Tread with Siping. Chains, optional.

Steer Tires: 21 x 8-9 Solid-Pneumatic Traction Tread mounted to a Fully Suspended Steer Axle.

Lighting: Dual LED Forward and Aft Headlights, Four LED Flashing Amber Running Lights, Amber Strobe Light mounted Center Rear, and LED Brake Lights/Turn Signals.

Operator's Compartment: Low profile, Premium Grade, Molded Polyurethane Operator Seats with Dual Facing Helms, including Armrests, Seat Belts and fore/aft setting. Cab with Heater, Defroster, and Windshield Wipers, optional.

Camera and Monitor: Camera at Aircraft Interface Area, with Color Monitors at "A" and "B" Station.

Construction: Welded Steel Plate and Polymers preserved by Primer and Industrial Gray Enamel Paint with special protective Polyurethane Coating to prevent rust, scratches and corrosion. Steel Rub Rails protect from side impact. Custom colors, optional.

Aircraft Towing Vehicle Transport: Six "D" Rings and Rear Drawbar Hitch for transport tie down. Steer Axle with Hydraulic Lift for ramp loading, optional.

SPECIFICATIONS:

Length.....	229.2 in / 582.2 cm
Width.....	84.5 in / 214.7 cm
Height (At lowest steering tilt setting).....	35.2 in / 89.4 cm
Turning Radius.....	204 in / 518 cm
Wheel Base.....	92.2 in / 234.1 cm
Vehicle Speed, Empty.....	9 MPH / 14.5 KPH
Vehicle Speed, Loaded (To Max. Vehicle Capacity).....	4 MPH / 6.4 KPH
**Lift Cradle Capacity.....	12,000 LBS/5443 KG
Nose Gear Cradle Lifting Height.....	16 in / 40.6 cm
Ground Clearance.....	5 in / 12.7 cm
Shipping Weight w/o Batteries & Charger.....	5990 LBS / 2717 KG
Shipping Weight w/ Motive Batteries & Charger.....	9960 LBS / 4518 KG
Shipping Weight w/ Motive & GPU Batteries & Charger.....	10,310 LBS/4677 KG

**Lift Capacity is calculated with 20 in / 51 cm diameter aircraft tire in lift cradle. Aircraft tire center line at 23 in / 58 cm from drive tire center line.

ADDITIONAL OPTIONS:

Specialized Aircraft Towing Adapters and Custom Highlift Adapters are available (consult factory). Illustration may show some optional equipment.

*LEKTRO reserves the right to make changes and improvements in products and specifications without notice or obligation.

PATENT Nos. 5,151,003 / 5,302,075 / 9,067,691.

Other Patents Pending.

LEKTRO

Model AP8850SDA-M AIRCRAFT TOWING VEHICLE FOR AIRCRAFT UP TO 120,000 LBS/54,432 KG

1190 S.E. Flightline Drive, Warrenton, Oregon 97146-9692
1-800-535-8767 • 503-861-2288 • Fax 503-861-2283
E-mail: sales@lektro.com
http://www.lektro.com

