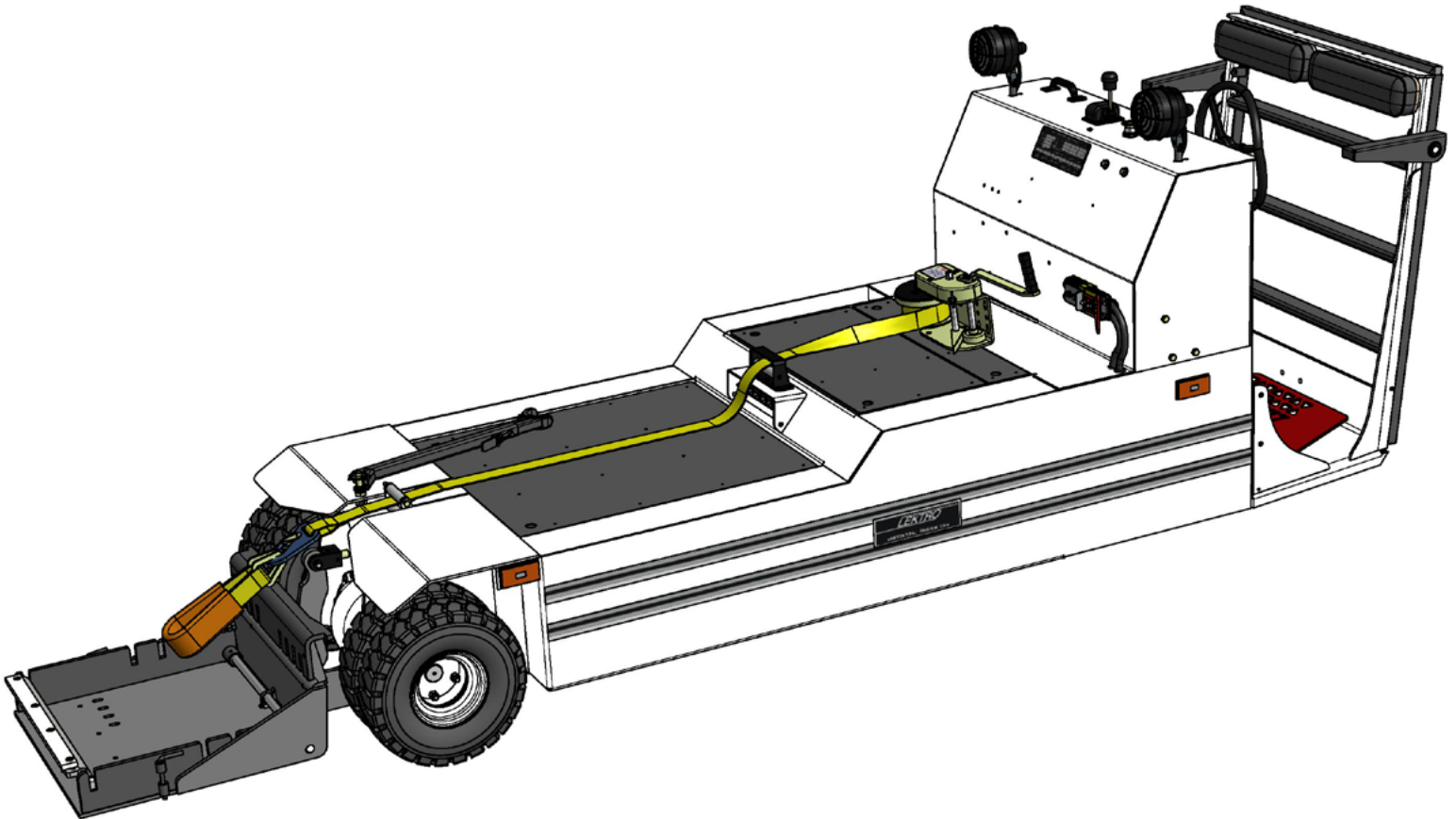


LEKTRO

1190 S.E. Flightline Drive, Warrenton, Oregon 97146-9692
1-800-535-8767 • 503-861-2288 • Fax 503-861-2283
E-mail: sales@lektro.com
http://www.lektro.com

Model AP8600A AIRCRAFT TOWING VEHICLE FOR AIRCRAFT UP TO 30,000 LBS/13,608 KG



AP8600A FEATURES:

Vehicle Drive: 6.8 HP/5.1 kW, 36 VDC Traction Motor mated with Dana 44 Differential. 11.8 HP/8.8 kW Motor and Limited Slip Differential, optional.

Motor Speed Control: EV100ZX SCR with On-Board Diagnostics. Speed controlled by combination Hand Throttle/Directional Lever.

Batteries: Six 6 VDC, 328 AMP-HR Batteries (6 hr rate), wired in series. Single Point Watering System, optional.

GPU: Built-in 12/24/28 VDC / 1374 CCA Motive/GPU Batteries. Independent 1175 CCA GPU Battery and Charging System, optional.

Motive Battery Charger: External Fully Automatic 36 AMP DC / 120 VAC / 60 Hz / 1-PH Charger. 230 VAC / 50 Hz, optional.

Nose Gear Lift Cradle: Patented Universal Nose Gear Lift Cradle activated by an Electric/Hydraulic Pump Assembly capable of handling dual and single wheel aircraft, those with or without wheel fairings, and a Hold Down provision for light-nosed aircraft. Aircraft Selection System, optional.

Winch: Heavy-duty 2-speed Hand Winch. Winch and Strut Straps included. Hydraulic Winch with Automatic Safety Cut-Off, optional.

Steering: Automotive-type Wheel coupled to an Automotive Gear Box resulting in very responsive steering action.

Service Brakes: Foot Operated Hydraulic Disc-Type Service Brakes acting at Differential Pinion Shaft.

Parking Brake: Hand/Foot activated Electric Deadman Parking Brake.

Drive Tires: Dual 4.80/4.00 x 8 8-ply Pneumatic Traction Tread. Poly-Foam, Auto Socks and Chains, optional.

Steer Tires: Dual 4.80/4.00 x 8 6-ply Pneumatic Highway Tread. Poly-Foam and Steer Axle Suspension, optional.

Lighting: Dual 360° Rotating LED Spotlights mounted on Cowl, One Rear LED Headlight mounted on Back of Operator's Platform and Four Flashing Amber LED Running Lights.

Extension Ladder: Step Ladder attached to operator's back rest.

Operator's Compartment: Two person configuration, Stand-Up Operation with Restraint.

Construction: Welded Steel Plate and Polymers preserved by Primer and Automotive High-Gloss Red or White Enamel Paint with special protective Polyurethane Coating to prevent rust, scratches and corrosion. Custom colors, optional.

SPECIFICATIONS:

Length.....	151.5 in / 384.6 cm
Width	41.5 in / 105.1 cm
Height (at top of steering wheel).....	49 in / 124.6 cm
Turning Radius	127.5 in / 323.9 cm
Wheel Base	79.25 in / 201.2 cm
Vehicle Speed, Empty	6.6 MPH / 10.6 KPH
Vehicle Speed, Loaded (To max. Vehicle Capacity)	4.5 MPH / 7.2 KPH
**Lift Cradle Capacity	3000 LBS / 1361 KG
Nose Gear Cradle Lifting Height.....	9 in / 23 cm
Ground Clearance	3.5 in / 9 cm
Shipping Weight w/ Batteries & Charger	2750 LBS / 1247 KG

**Lift Capacity is calculated with 14 in / 36 cm diameter aircraft tire in lift cradle. Aircraft tire centerline at 18.5 in / 47 cm from drive tire centerline.

ADDITIONAL OPTIONS:

Draw Bar Pin, Specialized Aircraft Towing Adapters and Custom Highlift Adapters are available (consult factory). Illustration may show some optional equipment.

*LEKTRO reserves the right to make changes and improvements in products and specifications without notice or obligation.

PATENT Nos. 5,151,003 / 5,302,075 / 9,067,691.

Other Patents Pending.

LEKTRO

1190 S.E. Flightline Drive, Warrenton, Oregon 97146-9692
 1-800-535-8767 • 503-861-2288 • Fax 503-861-2283
 E-mail: sales@lektro.com
 http://www.lektro.com

Model AP8600A

AIRCRAFT TOWING VEHICLE
 FOR AIRCRAFT UP TO 30,000 LBS/13,608 KG

